

Serie
Type
VA

Serie
Type
INV

Pompe con variatore o inverter Pumps with mechanical speed variator or frequency converter



Pompe con variatore (VA)
Pumps with mech. speed variator (VA)



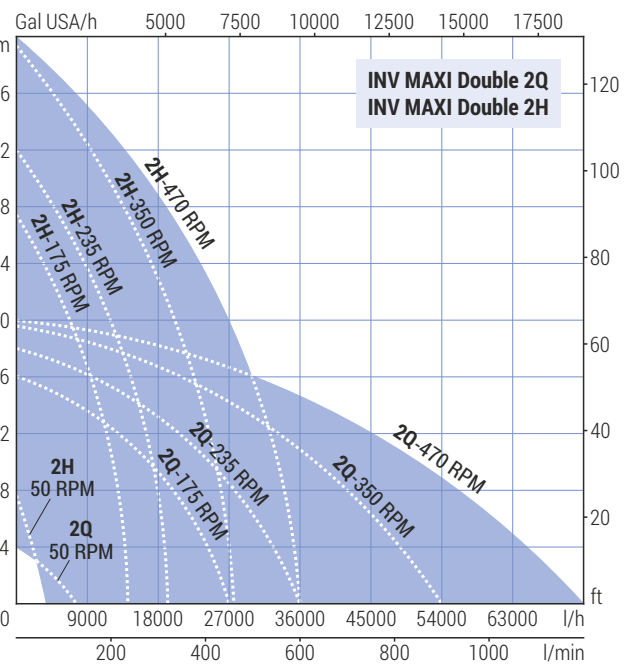
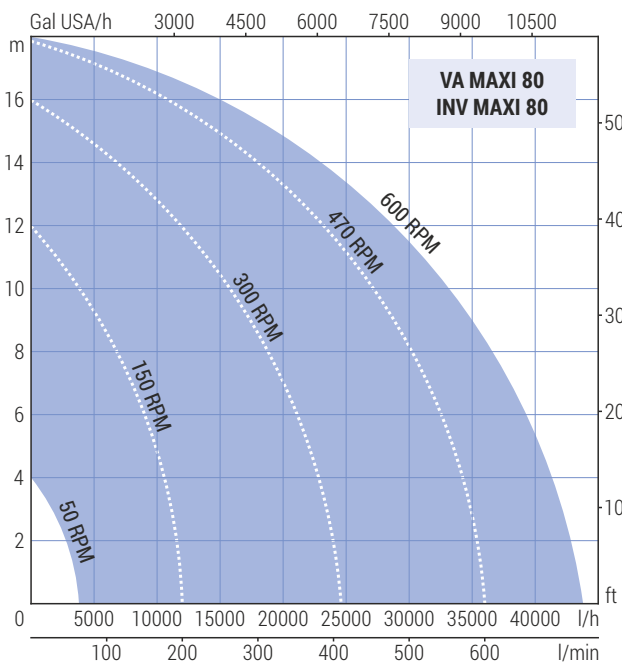
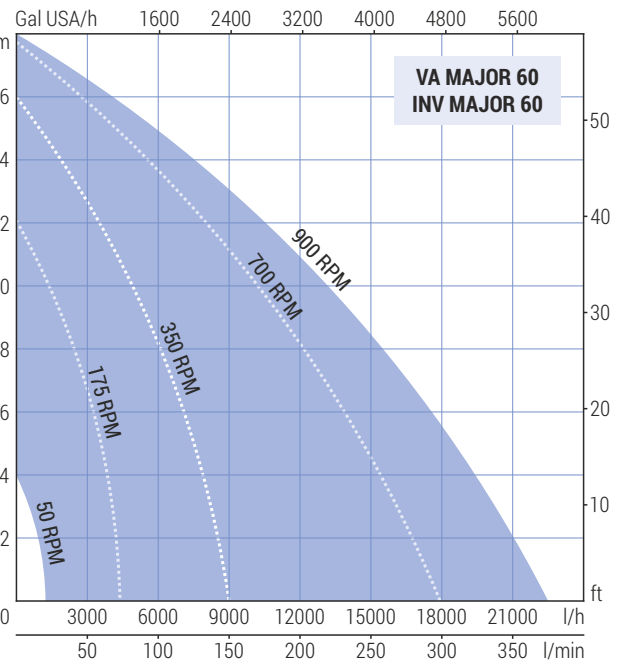
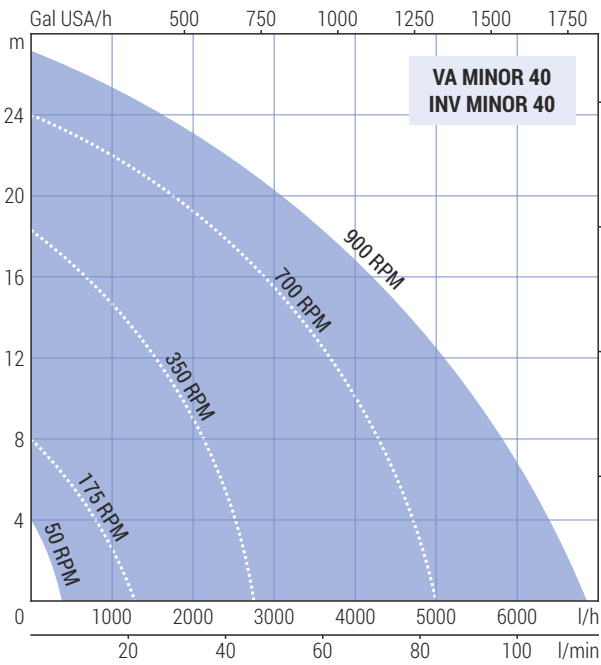
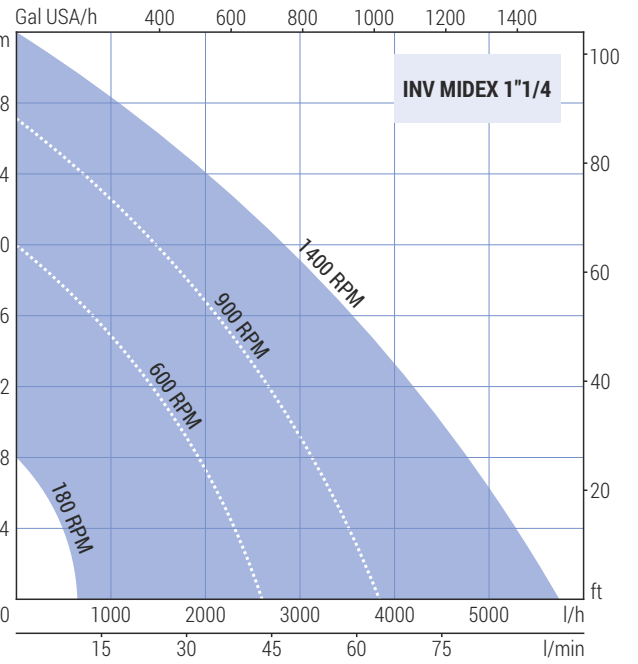
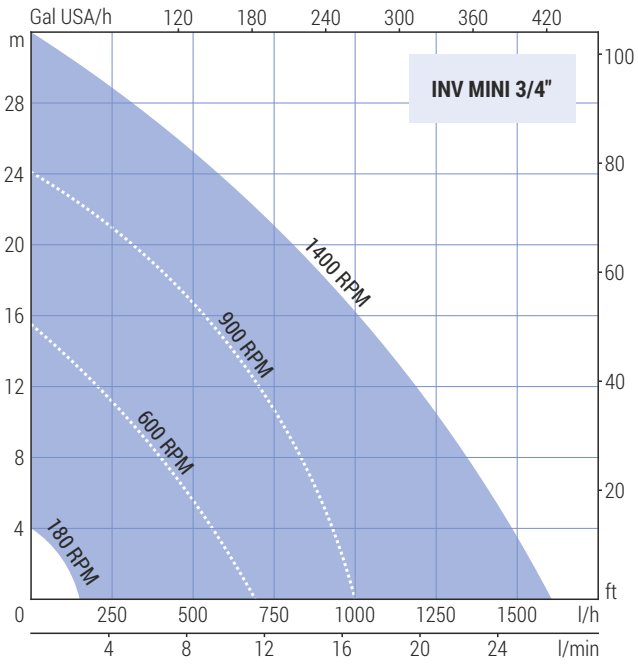
Pompe con inverter (INV)
Pumps with frequency converter (INV)



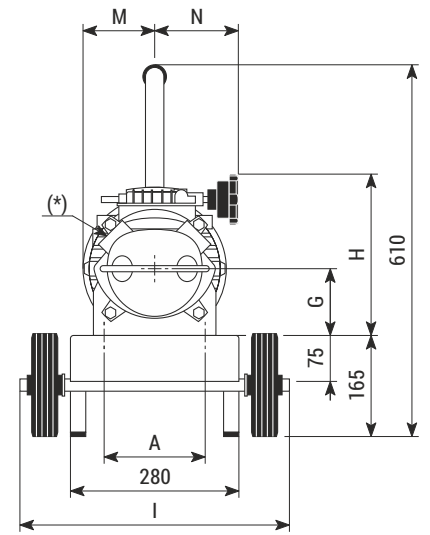
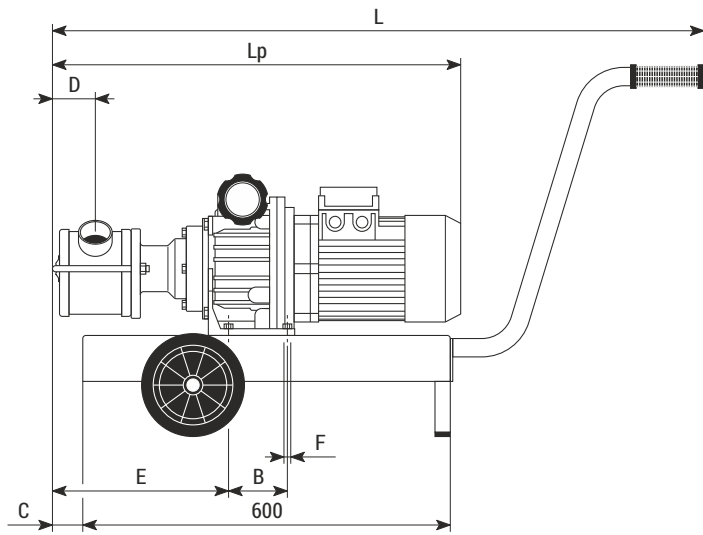
Tipo Type	Alimentazione * Feeding *		kW	Giri/min RPM	H = Prevalenza (metri) / Head (meters)											
					0	4	8	12	16	18	20	24	27	32	40	
VA MINOR 40	TF	230-400V 50Hz	1.5	min 175	1320	800	0									
				350	2750	2500	2100	1600	800	0						
				700	5000	4700	4300	3700	3000	2520	1800	0				
				max 900	6900	6200	5760	5040	4200	3660	3200	1800	0			
VA MAJOR 60	TF	230-400V 50Hz	1.87	min 175	4320	3840	2800	0								
				350	9000	7800	6000	3700	0							
				700	18000	15000	12000	8400	2500	0						
				max 900	22500	19560	15000	11220	3000	0						
VA MAXI 80	TF	230-400V 50Hz	4	min 150	12000	10000	7500	0								
				300	24600	22200	18900	12000	0							
				470	36000	34200	30000	24000	12000	0						
				max 600	43800	41400	36000	30000	16000	0						
INV MINI 3/4"	MF 230V 50Hz	TF 400V 50Hz	0.56	min 180	150	0										
				600	700	560	390	150	0							
	900	1000		900	840	720	540	450	350	0						
	max 1400	1620		1440	1320	1140	1020	900	800	600	400	0				
INV MIDEX 1"1/4	MF 230V 50Hz	TF 400V 50Hz	0.75	min 180	600	480	0									
				600	2600	2300	2000	1400	800	400	0					
	900	3840		3480	3180	2760	2160	1800	1600	720	0					
	max 1400	5760		5160	4800	4320	3600	3180	2800	1920	1200	0				
INV MINOR 40	MF 230V 50Hz	TF 400V 50Hz	1.87	min 50	380	0										
				175	1320	800	0									
				350	2750	2500	2100	1600	800	0						
				700	5000	4700	4300	3700	3000	2520	1800	0				
max 900	6900	6200	5760	5040	4200	3660	3200	1800	0							
INV MAJOR 60	MF 230V 50Hz	TF 400V 50Hz	2.2	min 50	1230	0										
				175	4320	3840	2800	0								
				350	9000	7800	6000	3700	0							
				700	18000	15000	12000	8400	2500	0						
max 900	22500	19560	15000	11220	3000	0										
INV MAXI 80	TF 400V 50Hz		4	min 50	3800	0										
				150	12000	10000	7500	0								
				300	24600	22200	18900	12000	0							
				470	36000	34200	30000	24000	12000	0						
max 600	43800	41400	36000	30000	16000	0										
INV MAXI Double 2Q	TF 400V 50Hz		5.5	min 50	7600	0										
				175	27000	24000	20000	13000	0							
				235	36000	33000	27500	20500	10000	0						
				350	54000	48500	41500	33000	22000	14000	0					
max 470	72000	65000	56000	45000	30000	20000	0									
INV MAXI Double 2H	TF 400V 50Hz		5.5	min 50	3800	2000	0									
				175	14100	13500	12600	11400	9700	8600	7400	4500	0			
				235	19200	18500	17500	16200	14300	13200	12000	9000	5900	0		
				350	27600	26700	25500	24000	22200	21000	20000	17200	14800	9700	0	
max 470	36000	35000	33600	32000	29700	28400	27000	23600	20600	14300	0					

Q = Portata (litri/ora) / Capacity (liters/hour)

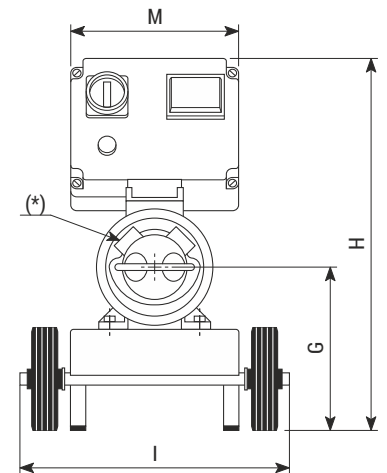
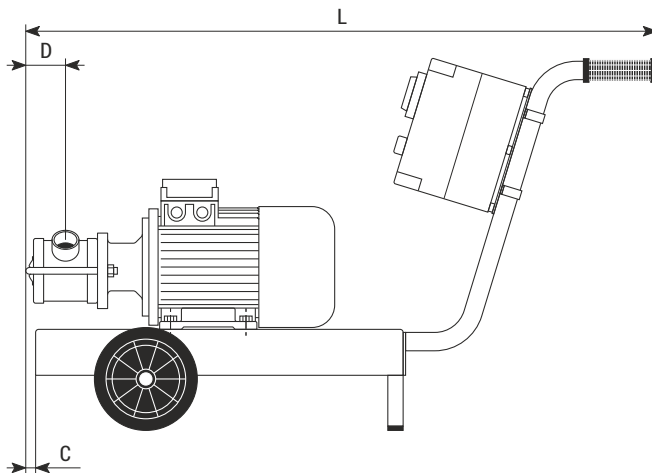
* MF = monofase / single-phase - TF = trifase / three-phase



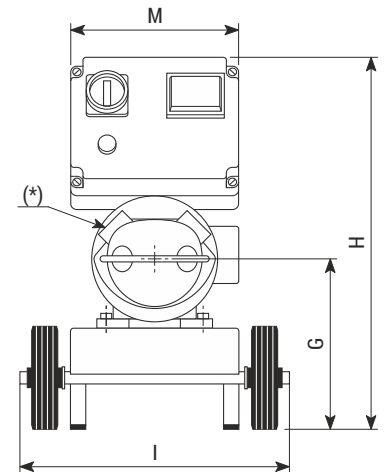
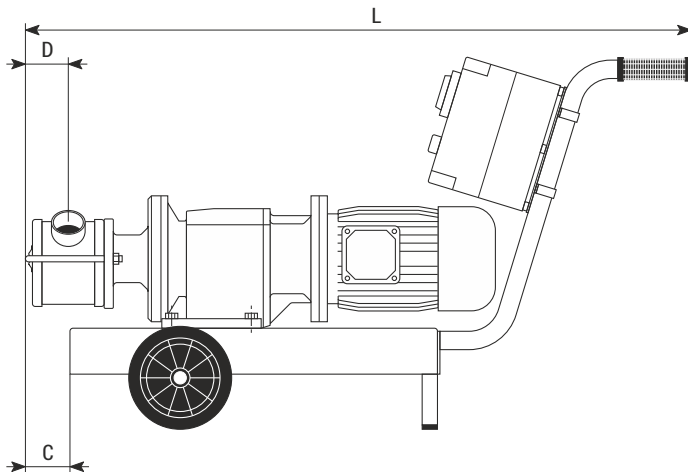
VA MINOR 40
VA MAJOR 60
VA MAXI 80



INV MINI 3/4"
INV MIDEX 1"1/4



INV MINOR 40
INV MAJOR 60
INV MAXI 80



Tipo Type	Peso Weight	Dimensioni (mm) / Dimensions (mm)													
		A	B	C	D	E	F	G	H	I	L	Lp	M	N	
VA MINOR 40	63 kg	164	96	20	60	260	Ø11	109	264	405	1030	640	117	137	
VA MAJOR 60	67 kg	164	96	55	70	295	Ø11	109	264	405	1065	675	117	137	
VA MAXI 80	109 kg	200	120	115	90	305	M12	132	337	405	1125	770	136	172.5	
INV MINI 3/4"	17 kg	-	-	-	26	-	-	175	550	331	790	-	285	-	
INV MIDEX 1"1/4	23 kg	-	-	15	38	-	-	175	550	331	805	-	285	-	
INV MINOR 40	45 kg	-	-	70	60	-	-	268	610	405	1050	-	285	-	
INV MAJOR 60	55 kg	-	-	135	70	-	-	275	610	405	1145	-	285	-	
INV MAXI 80	95 kg	-	-	160	90	-	-	295	610	405	1200	-	285	-	
INV MAXI Double	185÷200 kg	Dimensioni p.11 / Dimensions p.11													

* raccordi disponibili p.21 / available pipe fittings p.21