

LALX 40-50



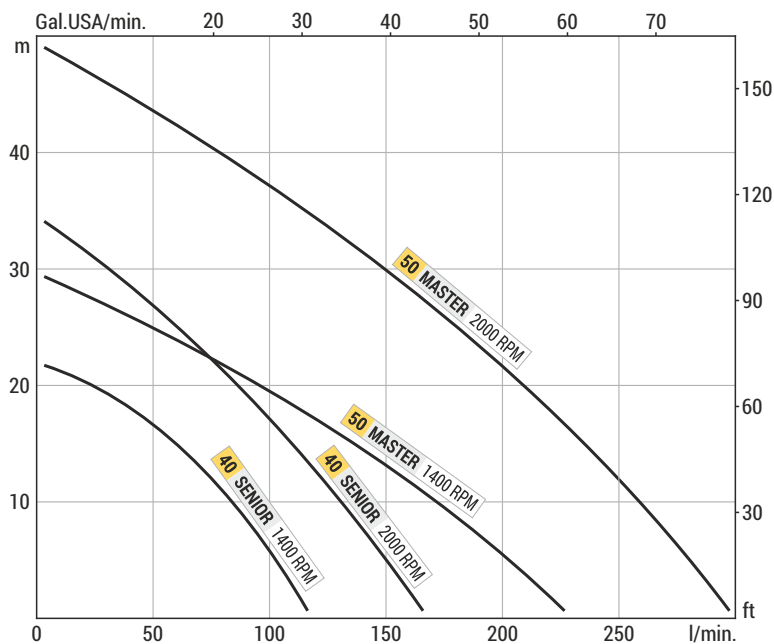
LALX SENIOR 1"1/2-MASTER 2"

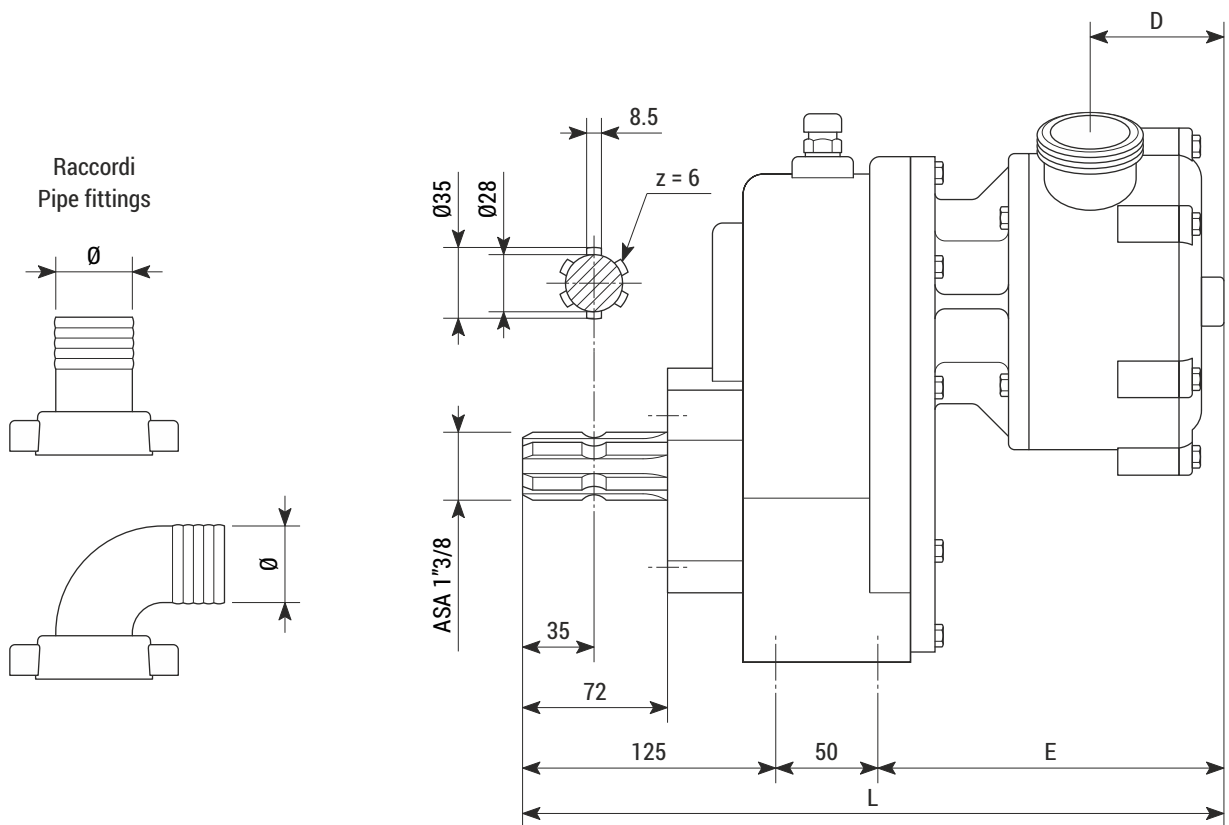
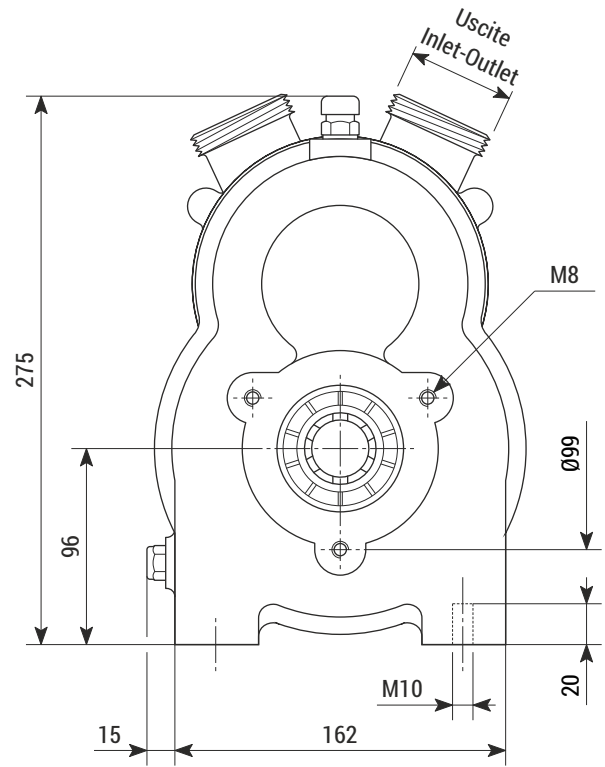
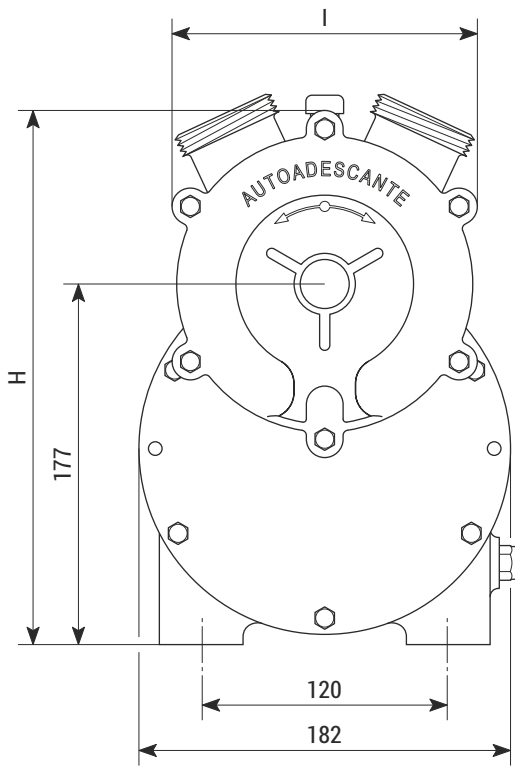
Modello ** Type **	Materiale Material	Giri/minuto RPM	kW *	H = Prevalenza (metri) / Head (meters) - Q = Portata (litri/minuto) / Capacity (liters/minute)															
				0	5	10	12	15	18	20	22	24	30	35	40	45	50	H	
LALX 40	Bronzo Bronze	standard	1400	1.10	120	105	85	80	62	45	30	0							
		max	2000	1.85	170	150	133	125	110	100	90	80	70	35	0				
LALX 50	Bronzo Bronze	standard	1400	1.85	230	205	175	160	140	120	95	80	60	0					
		max	2000	3.0	300	280	260	250	235	220	210	200	190	150	120	80	40	0	
LALX SENIOR 1"1/2	Inox AISI 316 S.S. AISI 316	standard	1400	1.10	120	105	85	80	62	45	30	0							
		max	2000	1.85	170	150	133	125	110	100	90	80	70	35	0				
LALX MASTER 2"	Inox AISI 316 S.S. AISI 316	standard	1400	1.85	230	205	175	160	140	120	95	80	60	0					
		max	2000	3.0	300	280	260	250	235	220	210	200	190	150	120	80	40	0	

* = Potenza richiesta / Required power

** = Versione standard: moltiplicatore rapporto 7.1 / Standard version: overdrive rate 7.1

** = Versione speciale: moltiplicatore rapporto 3.7 / Special version: overdrive rate 3.7





Tipo Type	Peso Weight	Uscite Inlet-Outlet	Raccordi Pipe fittings	Dimensioni (mm) / Dimensions (mm)				
				D	E	H	I	L
LALX 40	16.5 kg	BSP-M 1 1/2	Ø40	67	171	86	150	346
LALX 50	20.2 kg	BSP-M 2"	Ø50	90	203	103	185	378
LALX SENIOR 1 1/2	16.4 kg	BSP-M 1 1/2 *	Ø40 **	76	181	86	167	356
LALX MASTER 2"	20.1 kg	BSP-F 2" *	Ø50 **	94	208	103	205	383

* = Uscite standard BSP (Gas), altre uscite disponibili p.30 / Standard inlet-outlet BSP (Gas), different inlet-outlet are available see p.30
 ** = Raccordi in acciaio inox o nylon a richiesta / Stainless steel or nylon pipe fittings on request