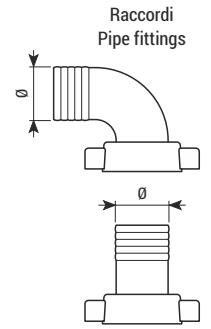
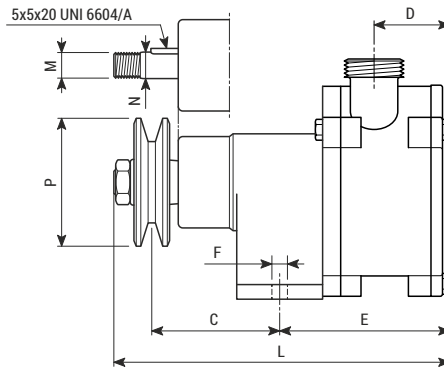
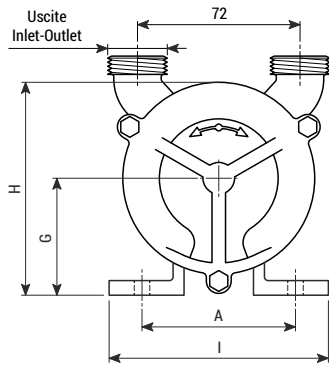
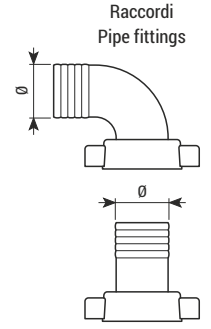
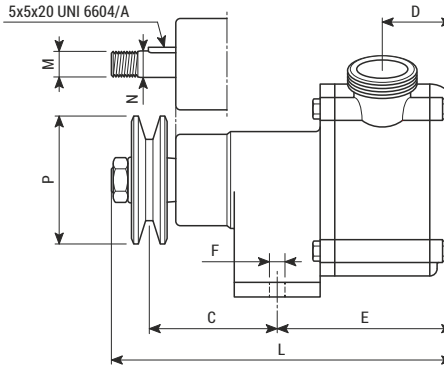
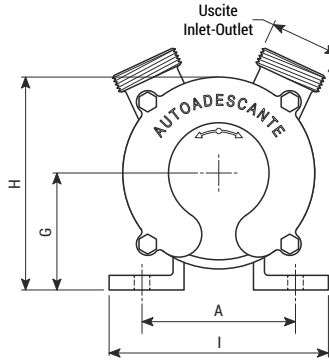


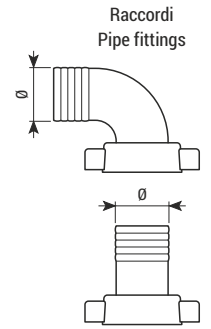
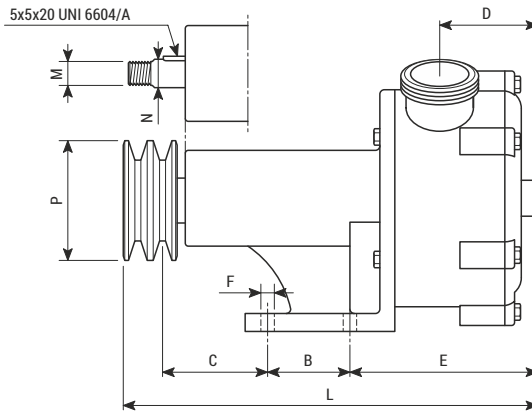
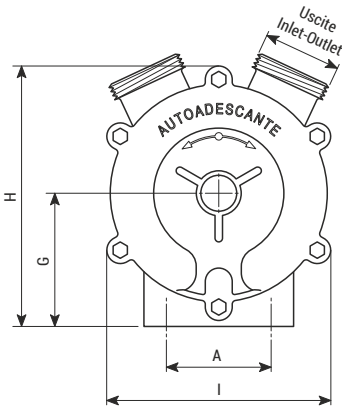
**SPECIAL
NEOS 3/4"**



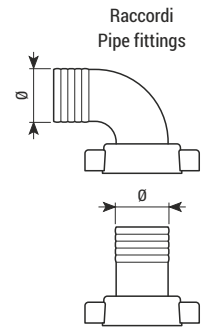
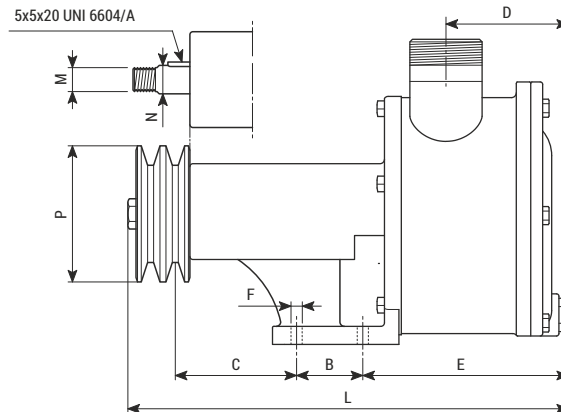
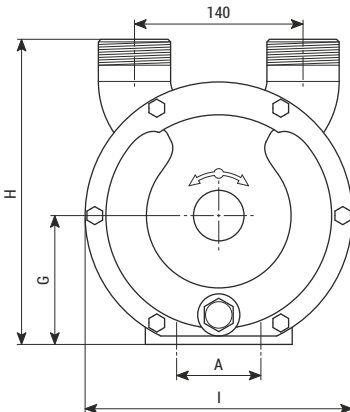
**SPECIAL
20-25**



**SPECIAL
30-40-50
SENIOR 1 1/2
MASTER 2"**



**SPECIAL
60 Inox 2"**



Tipo Type	Peso Weight	Uscite Inlet-Outlet	Raccordi Pipe fittings	Dimensioni (mm) / Dimensions (mm)												
				A	B	C	D	E	F	G	H	I	L	M	N	P
SPECIAL 20	2.0 kg	BSP-M 3/4"	Ø20	84	-	70	35	81	Ø8.5	58	100	120	172	M14x1.5	Ø14.5	Ø70x1A
SPECIAL 25	2.8 kg	BSP-M 1"	Ø25	84	-	70	40	98	Ø8.5	56	108	120	190	M14x1.5	Ø14.5	Ø70x1A
SPECIAL 30	5.6 kg	BSP-M 1 1/4"	Ø30	70	55	64	50	103	Ø8.5	89	175	150	254	M16	Ø19	Ø70x1A
SPECIAL 40	7.3 kg	BSP-M 1 1/2"	Ø40	70	55	64	67	128	Ø8.5	89	175	150	277	M16	Ø19	Ø80x2A
SPECIAL 50	12.5 kg	BSP-M 2"	Ø50	70	55	90	90	160	Ø9	107	210	185	330	M16	Ø19	Ø80x2A
SPECIAL NEOS 3/4"	1.8 kg	BSP-M 3/4" *	Ø20 **	84	-	70	34	80	Ø8.5	58	100	120	171	M14x1.5	Ø14.5	Ø70x1A
SPECIAL SENIOR 1 1/2"	7.4 kg	BSP-M 1 1/2" *	Ø40 **	70	55	64	76	138	Ø8.5	89	175	167	287	M16	Ø19	Ø80x2A
SPECIAL MASTER 2"	12.6 kg	BSP-M 2" *	Ø50 **	70	55	90	94	160	Ø9	107	210	205	330	M16	Ø19	Ø80x2A
SPECIAL 60 Inox 2"	16.0 kg	BSP-M 2" *	Ø50 **	70	55	83.5	102	171	Ø9	107	258	222	349	M16	Ø19	Ø149x2B

rif. UNI 5266

* = Uscite standard BSP (Gas), altre uscite disponibili p.30 / Standard inlet-outlet BSP (Gas), different inlet-outlet are available see p.30

** = Raccordi in acciaio inox o nylon a richiesta / Stainless steel or nylon pipe fittings on request